

MacLean MV Oscillating Folding V Plows

MacLean Oscillating Folding V Plows			
Model	MFVIII60	MFVIII84	
Width @ Cutting Edge (Straight Blade)	58"	83"	
Width @ Cutting Edge (V Folded Back)	52" @ 110°	73" @ 110°	
Width @ Cutting Edge (V Folded Forward)	44" @ 110°	64" @ 110°	
Height @ Wing Tips	31"	33"	
Cutting Edge Material	AR400	AR400	

Features

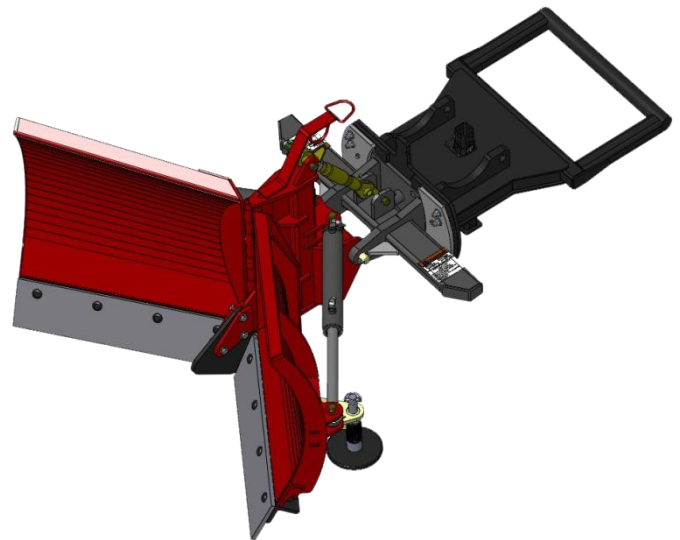
- Trip edge style wings using torsion springs
- Greasable pivots
- Heavy-duty piano hinge for wings
- Hard stops for retracted V position
- Bullnose for float and plow protection
- 2" bore cylinders
- Replaceable AR400 cutting edges
- 2 adjustable skids shoes
- Heavy-duty, greasable oscillating pushframe
- 5° oscillation on each side of vehicle's centerline

Applications

- Sidewalk snow plowing
- Parking lot snow clearing

Requirements

- MV as equipped



www.macleaneengineering.com